

SMD 3030 LED 3V

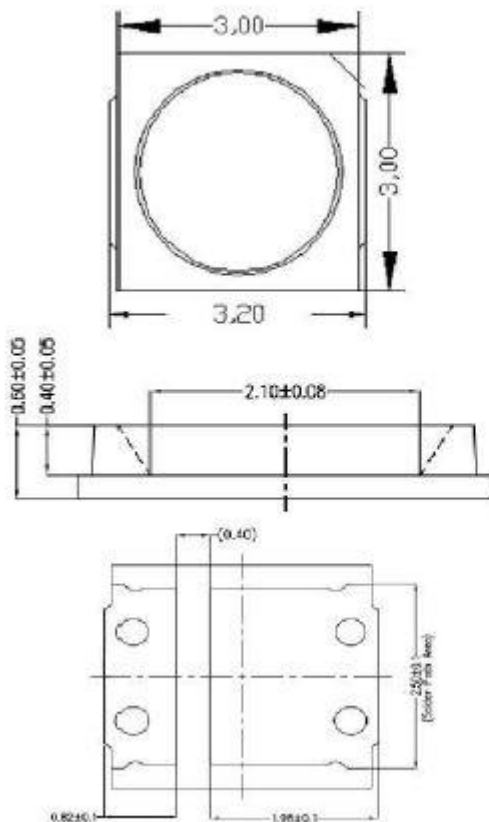
For SMD 3030 LED, of course it have full colors. Below is the specification for neutral white color.

P. N.: SMD 3030 LED (WHITE)

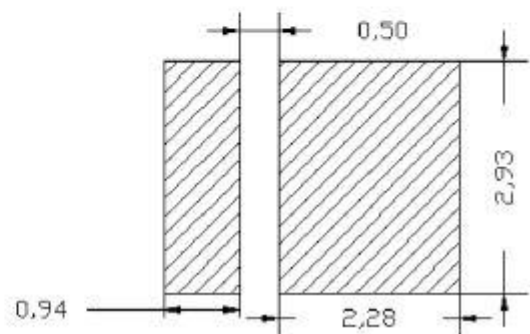
PART NO.: AL-H30EMK60-HLR9-W1

Package: 4000pcs/reel

■ Package Dimensions:



Recommended Soldering Pattern



Notes:

1. All dimensions are in millimeters (inches).
2. Tolerance is ±0.10mm (0.004') unless otherwise specified.



High CRI: > 90

Luminous Flux: 90-110LM

Forward Voltage: 2.8-3.4V

Correlated Color Temperature: 5300-6500K

Viewing Angle: 120 degree

Parameter	Symbol	Test Condition	Min.	Typ.	Max.	Unit
Luminous Flux	Φ_V	IF=350mA	90	110	—	lm
Forward Voltage	VF	IF=350mA	2.8	--	3.4	V
Correlated Color Temperature	CCT	IF=350mA	5300	--	6500	K
Color Rendering Index(Ra)	CRI	IF=350mA	90	--	--	Ra
Viewing Angle	2 θ 1/2	IF=350mA	--	120	--	deg
Reverse Current	IR	VR=5V	--	--	10	uA

Notes:

1. Tolerance of Luminous Intensity $\pm 15\%$
2. Tolerance of Forward Voltage $\pm 0.1V$

Dongguan Zhiding Electronics Technology Co., LTD is a hightech enterprise specialized in manufacturing, designing and selling high quality LED lighting and LED related products. More related products please check below.

ALLIGHT
致鼎科技



SMD 3020 LED

ALLIGHT
致鼎科技



SMD 3030 LED

ALLIGHT
致鼎科技



SMD 3528 LED

ALLIGHT
致鼎科技



SMD 5050 LED

APPLICATIONS

APPLICATION SCENARIOS:

1. Automotive: Dashboards, stop lamps, turn signals
2. Backlighting: LCDs, Key pads advertising
3. Status indicators: Consumer & industrial electronics
4. General use



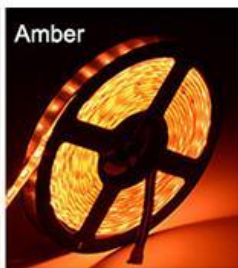
Warm white



Natural White



White



Amber



Red



Yellow



Green



Blue

WHY CHOOSE US



Customized design is available, OEM and ODM are welcomed.



We have best production capability, best quality control, best service.



Reply your inquiry in 24 working hours.



Customized design is available, OEM and ODM are welcomed

CERTIFICATION



ABOUT US

Dongguan Zhiding Electronics Technology Co., LTD is a high-tech enterprise specialized in manufacturing, designing and selling high quality LED lighting and LED related products. Zhaoqing Factory has more than 1000 employees, including more than 80 technicians focused on research and development.

We have advanced testing equipment, can be "normal temperature continuous light life test", "high temperature and high humidity cycle test", "cold and hot shock cycle test" and "high and low temperature storage test", "high and low temperature continuous light test", "salt spray test" and reliability test, for all kinds of product reliability test of periodic on a regular basis, provides the high quality for our product quality assurance.



COOPERATIVE CLIENT

F&C[®]

SUGA[®]

OPT[®]
Machine Vision

USI[®]
Realizing IDEAS Together

mega^{cell}
cell^{line}

UCHI

BlueSky

TOPBAND

GIROD

vtech[®]

FAQ

Q1. Sample order?

A: Yes, we welcome sample order to test and check quality.

Q2. Lead time?

A: 1-2 weeks depends on different items.

Q3. Do you have any MOQ limit?

A: Low MOQ, 1pc for sample checking is available.

Q4. How do you ship the goods and how long does it take to arrive?

A: We usually ship by DHL, UPS, FedEx or TNT. It usually takes 3-5 days to arrive.

Q5. How to process an order?

A: please kindly contact us for more detail.

For SMD 3030 LED full colors, we welcome retail, MOQ is one reel per color. Samples are provided free of charge for customer testing.

[Click Here Back to Home Page](#)